

bar stock needle valve, block, multiport



Technical features

Rating: 6000 psig; or 10000 psig (code **10K**).

Tee-bar: AISI 303 st.st.

Stem: AISI 316 L st.st.

Non-rotating needle: AISI 316 L st.st (code **5**), (or special materials).

Bonnet: AISI 316 L st.st (code **5**), (or special materials).

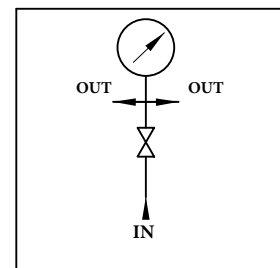
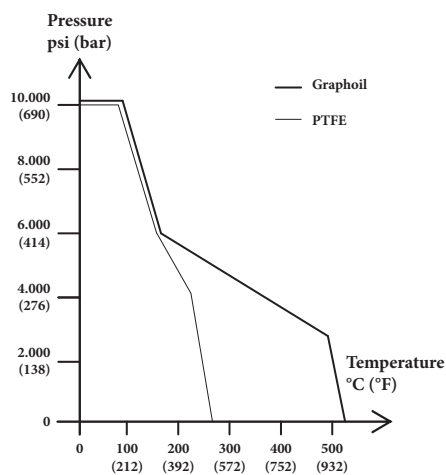
Packing: PTFE or Graphoil (see chart below).

Nuts: carbon steel.

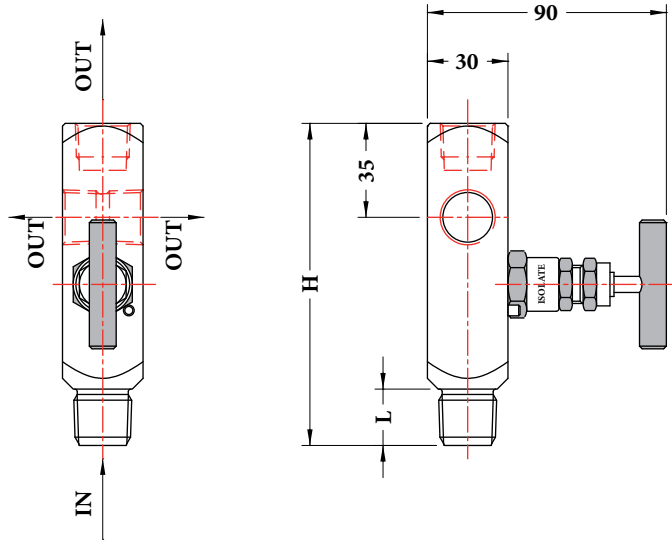
Line dust cup: Hytrel, blu.

Bonnet seal: AISI 316L st.st. seal.

Valve body and drain plug: AISI 316 L st.st. (code **5**), (or special materials).



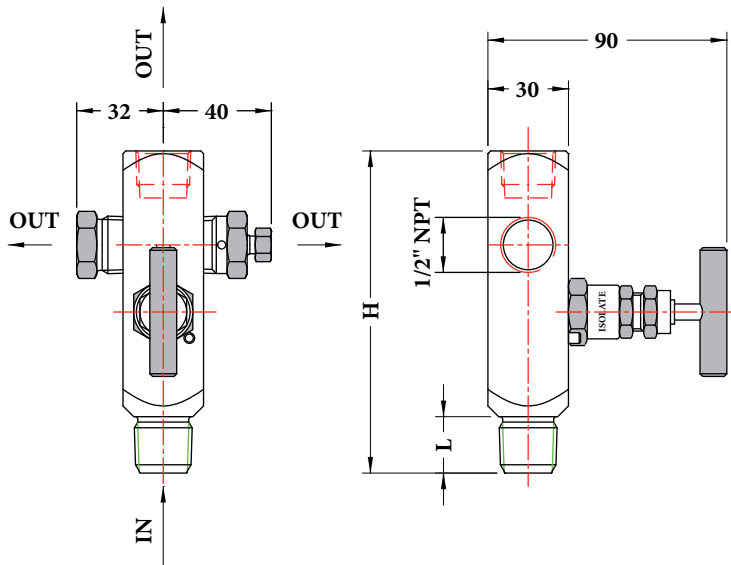
5.VMM - BSV/VMM - male process connection



Weight: 0,82 kg.

Code	IN-OUT	H	L
43M x 43F	1/2" NPT M x 1/2" NPT F	110	20

dimensions : mm



OPTIONS

10K - Rating bonnet : 10000 psi	LOK - T-Bar handle locking
ANT - Anti-tamper	P02 - Oxygen service
E30 - NACE version as per MR 0103/0175-ISO15156	SMI - Tag
GRA - Graphoil packing	TB6 -

“HOW TO ORDER” SEQUENCE

Section / Model / Material / Process connection / Instrument connection / Options
 5 VMM 5 43M 43F 10K...SMI